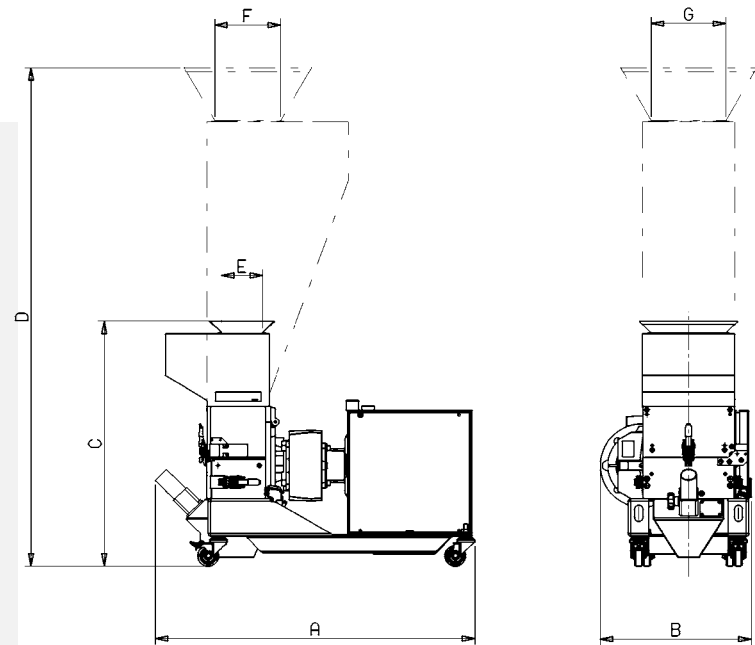


FEATURES	Mini	Maxi
Motor power - hp (kW) 400V	1 - (0.75)	3 - (2.2)
Torque - ft/lbs (Nm)	38 (52)	99 (134)
Feed Opening - in. (mm)	7.5 x 5 (191 x 130)	10.5 x 7.6 (269 x 193)
Knives / Counterknives	9 - 2	12 - 2
Rotor Diameter - in. (mm)	5 (120)	7.5 (190)
Standard Screen - in (mm)	.20 (5)	.20 (5)
Output Range - lbs/h (kg/h)	20 (10)	45 - 70 (20-30)
Rotor Speed - rpm	143	155
Weight - lbs (kg)	176 (80)	254 (115)
Knives and Screen in Antiwear Steel	•	•
Level Control	o	o
Discharge for Hopper Loader	•	•

• = standard o = optional x = not available

TYPE	A	B	C	D	E	F	G
Mini in.	30	14	23	47	4	6	7
mm	769	358	590	1200	98	157	179
Maxi in.	38	16	35	56	7	8	10
mm	975	411	882	1412	168	197	254



Visit our Showroom and Testing Facility in Charlotte, North Carolina.



info@45consulting.com

© TRIA America Inc. - ED 06.2013

DIVISION

DIVISION

PLASTICS

PLASTICS

TRIA



TRIA America, Inc.
10918 Granite Street
Charlotte, NC 28273
www.triaamerica.com

Tel: 704.716.0060
Fax: 704.716.0075
Toll Free: 877.505.8742
info@triaamerica.com



SCAN
HERE TO
LEARN
MORE



SERIES MINI - MAXI

Small footprint, 360° rotor access, disposable knives, slow RPM, standard antiwear treatment, uniform regrind. The new MINI - MAXI granulators are the latest development for the injection molding industry, featuring compact footprint and low running costs, as requested by our customers.



Disposable knives fixed with a single screw; adjustable counterknives



Knives holder and gearbox secured with conical expansion bushings



Grinding chamber in standard antiwear configuration



Knives, counterknives and screen in standard antiwear configuration



Total access for cleaning



Screen equal to approx. 50% of the knives' rotation
Reversible screen held and supported in position



Standard version suitable for clean room



Opening by only three quick release clamps and one microswitch



Integrated electrical control panel

Available executions: high profile hopper for feeding by robot and low profile hopper for manual feeding or by conveyor belt.

Compact design allows integration with the smallest of molding machines.

Same footprint with hopper open.

All machines are manufactured according to the latest Safety Standards.

DIVISION

PLASTICS

TRIA