

100-85 BLM

DIVISION

PLASTICS



TRIA

FEATURES

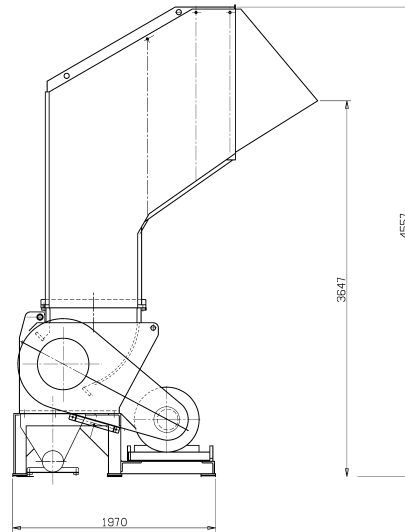
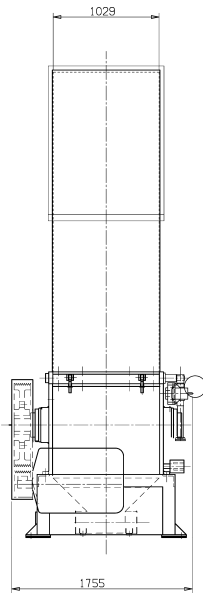
100-85

Version	BLM
Motor power (kW) 400V	90
Feeding opening (mm)	1040 x 850
Knives / counterknives N°	3/2
Rotor diameter (mm)	600
Standard screen (mm)	12
Indicative output (kg/h)	1200-1600
Rotor speed (rpm)	450
Weight (kg)	7800
Knives and screen in antiwear execution	o
Traction groups	x
Hopper for pipes and sheets	x
Wet grinding execution	x
Fixed discs	•
Hopper with doors	o
Pneumatic opening of screenholder	•
Level control	o
Rotor lock for maintenance	o
Sensor for belts slippage	o
Bearings vibration monitoring	o
Chamber temperature monitoring	o
Discharge with suction group on floor	o

• = standard o = optional x = not available

100-85 BLM

Machine dedicated to scraps recovery from moulding and blow moulding: big containers, tanks and bumpers, chairs, tables. Suitable also for thermoformed scraps, refrigerator cells, rolls, car panels and similar.



Visit our test room in Cologno Monzese.
Over than 15 granulators ready for your test.