

32-20
42-20

FEATURES	32-20	42-20
Motor Power - hp (kW)	4 (3)	5 (4)
Feed Opening - in. (mm)	12.8x8 (320 x 200)	16.5x8 (420 x 200)
Knives / Counterknives	3/2	3/2
Rotor Diameter - in. (mm)	7 (180)	7 (180)
Standard Screen - in. (mm)	3/16" (5)	3/16" (5)
Output Range - lbs/h (kg/h)	90-130 (40-60)	110-170 (50-80)
Rotor Speed - rpm	280	280
Weight - lbs (kg)	705 (320)	836 (380)
Knives and Screen in Antiwear Steel	o	o
Sound Proof Rigid Flap	o	o
Traction Groups	x	o
Feed Conveyor	o	o
Hopper for Pipes and Sheets	x	o
Sound Proof Version	o	o
Hopper for Edge Trims	x	o
Level Control	o	o
Discharge for Vacuum Loader	o	o
Discharge with Auger Screw	o	o
EC Extractor with Storage	o	o
Discharge with Suction Group on Board	o	o
Discharge with Suction Group on Floor	o	o

o = optional x = not available

DIVISION

PLASTICS



info@45consulting.com

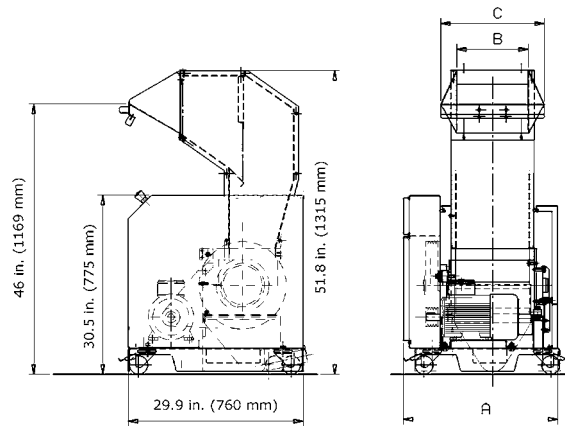
DIVISION

© TRIA America, LLC - ED 06.2012

PLASTICS

TRIA

TYPE	A	B	C
32-20 JM in.	26.4	12.2	17.3
mm	670	310	440
42-20 JM in.	30.3	16.1	21.3
mm	770	410	540



ACCESSORIES | Conveyor Belt/Depowdering System - Auger Screw - Suction Group

Visit our Showroom in Charlotte, North Carolina.



TRIA America, LLC
10918 Granite Street
Charlotte, NC 28273
www.triaamerica.com

Tel: 704.944.3240
Tel: 877.505.8742
Fax: 704.716.0075
info@triaamerica.com



SCAN
HERE TO
LEARN
MORE



SERIES 20 JM

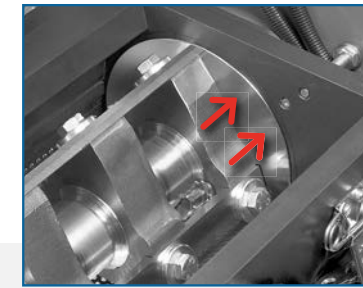
Technical molds, reinforced materials, minimum noise level, uniform regrind with less fines, easy and limited maintenance needs. The Series JM has become the most reliable solution for the in-line recovery with injection molding machines.



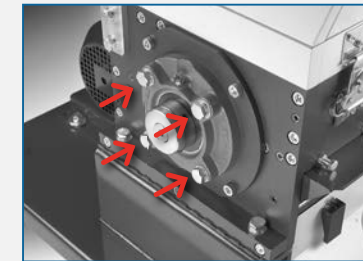
DIVISION

PLASTICS

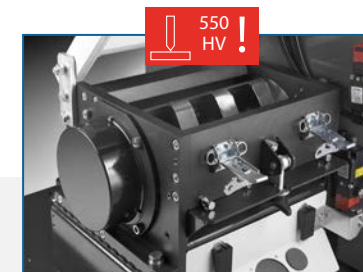
TRIA



Rotor equipped with lateral discs



Roller bearings mounted to the grinding chamber



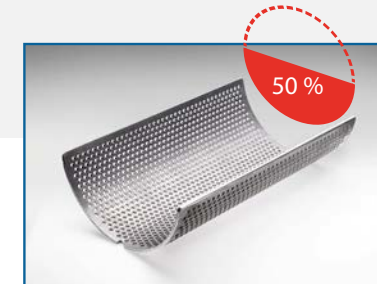
Grinding chamber in antiwear configuration



Flywheel and pulley mounted with taper-lock bushing



Scissors-cutting configuration



Screen equal to approx. 50% of the knives' rotation



Main maintenance parts accessible without tools



Castors for ease of movement



Integrated electrical control panel

...
All machines are manufactured according to the latest Safety Standards.