

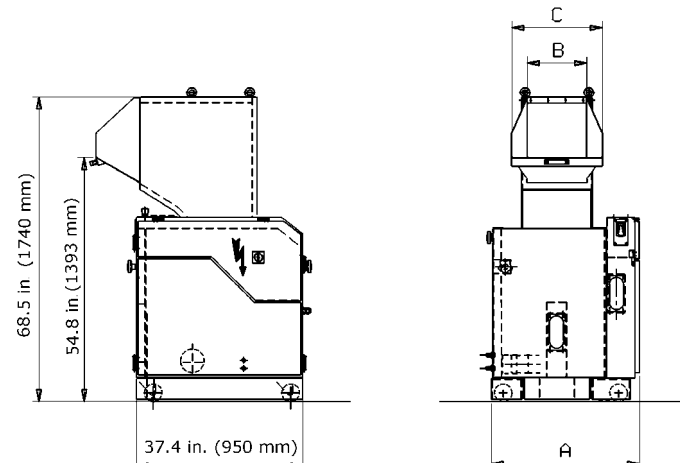
DIVISION

FEATURES	35-30		50-30	
Version	BM	XT	BM	XT
Motor Power - hp (kW)	10 (7.5)	12 (9)	12 (9)	20 (15)
Feed Opening - in. (mm)	13.8x 11.8	(350 x 300)	19.7x11.8	(500 x 300)
Knives / Counterknives	3/2		3/2	
Rotor Diameter - in. (mm)	10.2 (260)		10.2 (260)	
Standard Screen - in. (mm)	11/32" (9)		11/32" (9)	
Output Range - lbs/h (kg/h)	330-480	(150-220)	440-700	(200-320)
Rotor Speed - rpm	580		580	
Weight - lbs (kg)	1430	(650)	1650	(750)
Knives / Screen in Antiwear Steel	o		o	
Sound Proof Rigid Flap	o		o	
Traction Groups	x		x	o
Hopper for Pipes and Sheets	x			o
Sound Proof Version	o		o	
Hopper for Edge Trims	x		x	o
Sound Proof Tunnel for Conveyor Belt	o		o	
Level Control	o		o	
Discharge for Vacuum Loader	o		o	
Discharge with Auger Screw	o		o	
Discharge with Suction Group on Board	o		o	
Discharge with Suction Group on Floor	o		o	

o = optional x = not available

PLASTICS

TYPE	A	B	C
35-30 XT/BM in.	31.3	13.4	20.5
mm	795	340	520
50-30 XT/BM in.	37.2	19.3	26.4
mm	945	490	670



ACCESSORIES | Conveyor Belt - Auger Screw - Suction Group / Depowdering and Filtering Systems

Visit our Showroom in Charlotte, North Carolina.

info@45consulting.com

DIVISION

© TRIA America, LLC - ED 06.2012

PLASTICS

TRIA



TRIA America, LLC
10918 Granite Street
Charlotte, NC 28273
www.triaamerica.com

Tel: 704.944.3240
Tel: 877.505.8742
Fax: 704.716.0075
info@triaamerica.com



SCAN
HERE TO
LEARN
MORE

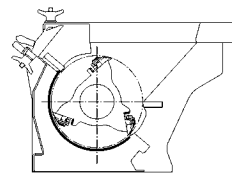


SERIES 30 XT-3M

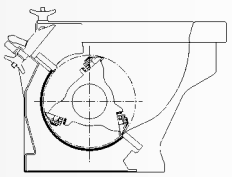
DIVISION

PLASTICS

TRIA



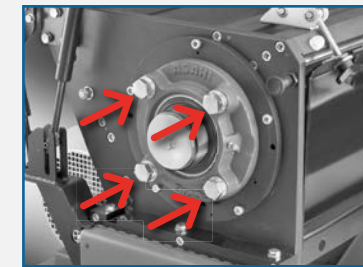
VERSION XT granulators designed for the granulation of extruded material, whether flexible or rigid. Also used as a secondary size reduction for pre-shredded material.



VERSION BM granulators designed specifically for the blow molding industry for the granulation of runners, blow molding rejects, in-line preforms at high temperatures and similar items.



Rotor equipped with lateral discs



Roller bearings mounted to the grinding chamber



Main maintenance parts accessible without tools



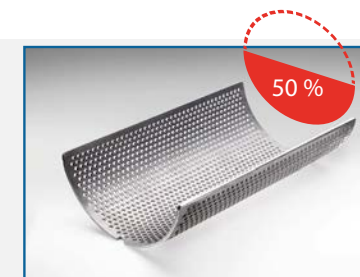
Hopper opening by gas cylinder



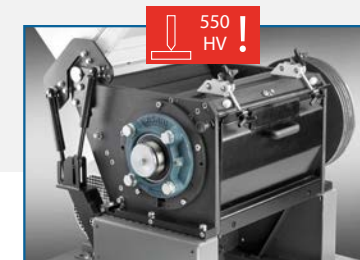
Scissors-cutting configuration



Adjustment of knives and counterknives can be performed separate from the machine



Screen equal to approx. 50% of the knives' rotation



Grinding chamber in antiwear configuration



Water cooled cutting chamber



Castors for ease of movement



Integrated electrical control panel

...
All machines are manufactured according to the latest Safety Standards.