

70-60
110-60
160-60

FEATURES	70-60		110-60			160-60	
Version	BM	XT	BM	XT	TR	XT	TR
Motor Power - hp (kW)	60 (45)	75 (55)	100 (75)	100 (75)	75 (55)	120 (90)	100 (75)
Feed Opening - in. (mm)	29.1x 22.5 (740x570)		43.3x22.5 (1100x570)			63x22.5 (1600x570)	
Knives / Counterknives	3/2	3-5/2	3/2	3-5/2	3-5/2	5/2	5/2
Forged Wet Rotor (Knives / Counterknives)	4/2		4/2			4/2	
Rotor Diameter - in. (mm)	19.7 (500)		19.7 (500)			19.7 (500)	
Standard Screen - in. (mm)	11/32" (9)		11/32" (9)			11/32" (9)	
Output Range - lbs/h (kg/h)	1540-2200 (700-1000)		1980-2640 (900-1200)			2640-3300 (1200-1500)	
Rotor Speed rpm	400		400			400	
Weight - lbs (kg) SL	8580 (3900)		12540 (5700)			13200 (6000)	
Knives and Screen in Antiwear Steel	o		o			o	
Traction Groups	x	o	x	o	o	o	o
Hopper for Pipes and Sheets	x	o	x	o	x	o	x
Sound Proof Box on Board	o		o			x	
Wet Grinding Execution	o		o			x	
Fixed Discs	o		o			o	
Hopper for Edge Trims	x	o	x	o	o	o	x
Sound Proof Tunnel for Conveyor Belt	o		o			o	
Level Control	o		o			o	
Rotor Lock Device for Maintenance	o		o			o	
Sensor for Belts Slippage	o		o			o	
Discharge with Suction Group on Floor	o		o			o	

o = optional x = not available

DIVISION

info@45consulting.com



© TRIA America, LLC - ED 06.2012

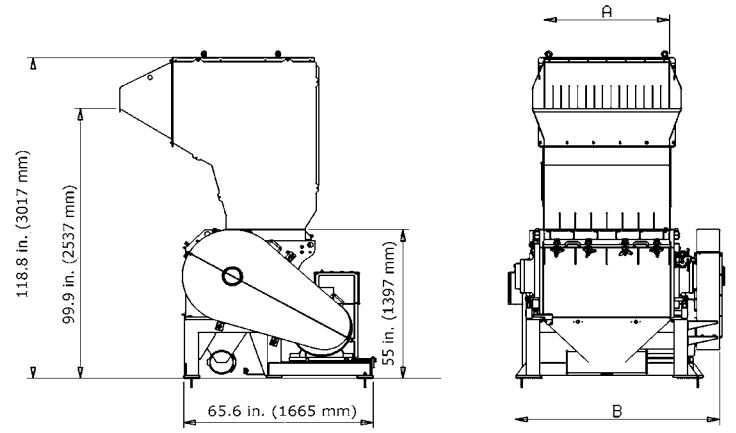
DIVISION

PLASTICS

TRIA

PLASTICS

TYPE	A	B
70-60 BM/XT	in. 28.3	52.8
	mm 720	1430
110-60 BM/XT/TR	in. 43.3	70.1
	mm 1100	1795
160-60 XT/TR	in. 63	90.6
	mm 1600	2300



ACCESSORIES Conveyor Belt (metal detector, soundproof tunnel) - Soundproofboard - Suction Group Board - LT & DP Depowdering System

Visit our Showroom in Charlotte, North Carolina.



TRIA America, LLC
10918 Granite Street
Charlotte, NC 28273
www.triaamerica.com

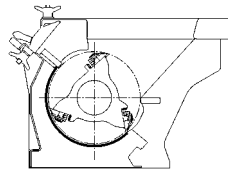
Tel: 704.944.3240
Tel: 877.505.8742
Fax: 704.716.0075
info@triaamerica.com



SCAN
HERE TO
LEARN
MORE



SERIES 60 XT-3M-TR



VERSION XT granulators designed for the granulation of extruded material, whether flexible or rigid. Also used as a secondary size reduction for pre-shredded material.

VERSION TR granulators equipped with traction roll systems for the in-line and off-line grinding of film, sheets and thermoform production waste.

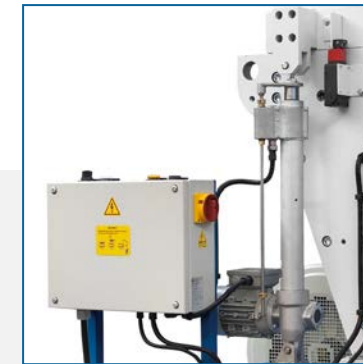
VERSION BM granulators designed specifically for the blow molding industry for the granulation of runners, blow molding rejects, in-line preforms at high temperatures and similar items.



DIVISION

PLASTICS

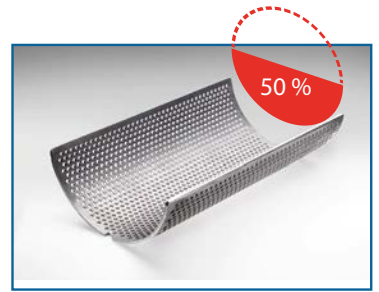
TRIA



Motorized jack for hopper opening



Screen cradle motion support by gas cylinder



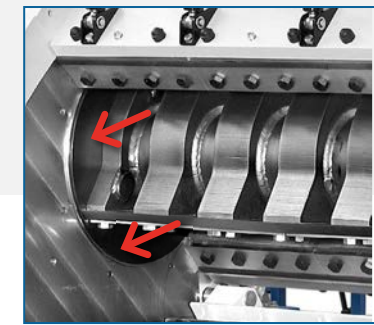
Screen equal to approx. 50% of the knives' rotation



Base set on vibration dampers



Rotor lock device for maintenance



Rotor equipped with lateral discs



Adjustment of knives and counterknives can be performed separate from the machine



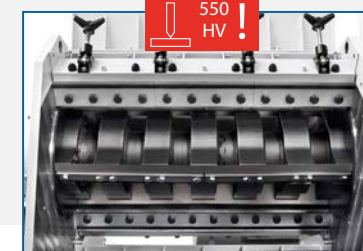
Flywheel and pulley mounted with taper-lock bushing



Water cooled cutting chamber



Main maintenance parts accessible without tools



3- or 5- knife rotor with arrow-cutting configuration

... All cutting chambers can be offered in an antiwear configuration. This includes the lateral discs, the wear rings and the screen.

The use of spherical roller bearings that are directly mounted to the cutting chamber in cast iron housings ensure longevity of the machine.

... All machines are manufactured according to the latest Safety Standards.