

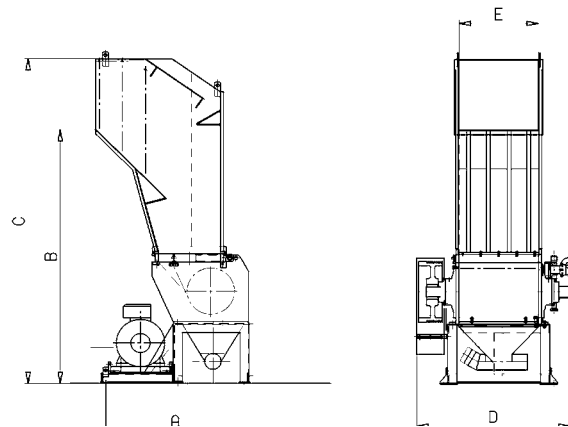
DIVISION

FEATURES	100-80		150-80	
Version	GR		GR	TR
Motor Power - hp (kW)	150 (110)		175 (132)	120 (90)
Feed Opening - in. (mm)	41x31.5 (1040x800)		61.5x31.5 (1560x800)	
Knives / Counterknives	5-7/2		5-7/2	7/2
Forged Wet Rotor (Knives / Counterknives)	6/2		6/2	
Third Counterknife	Included		Included	
Rotor Diameter - in. (mm)	24.5 (620)		24.5 (620)	
Standard Screen - in. (mm)	1/2" (12)		1/2" (12)	5/16" (8)
Output Range - lbs/h (kg/h)	3300-3960 (1500-1800)		3960-4840 (1800-2200)	
Rotor Speed - rpm	460		460	
Weight - lbs (kg)	20900 (9500)		24860 (11300)	
Knives and Screen in Antiwear Steel	o		o	
Traction Groups	o		o	
Hopper for Pipes and Sheets	o		o	x
Wet Grinding Configuration	o		o	x
Fixed Discs	o		o	x
Hopper with Doors	o		o	
Pneumatic Opening of Screenholder	o		o	
Level Control	o		o	
Rotor Lock Device for Maintenance	o		o	
Sensor for Belts Slippage	o		o	
Bearings Vibration Monitoring	o		o	
Chamber Temperature Monitoring	o		o	
Discharge with Suction Group on Floor	o		o	

o = optional x = not available

PLASTICS

TYPE	A	B	C	D	E
100-80 GR	in. 75.2	116.9	159.4	78.7	40.7
	mm 1910	2970	4050	2000	1034
150-80 GR/TR	in. 84.6	122	163.4	102.5	60.6
	mm 2150	3100	4150	2604	1540



ACCESSORIES | Conveyor Belt & Box - LT Depowdering System - Suction Group and Filtering System - Granulator into a Pit

Visit our Showroom in Charlotte, North Carolina.

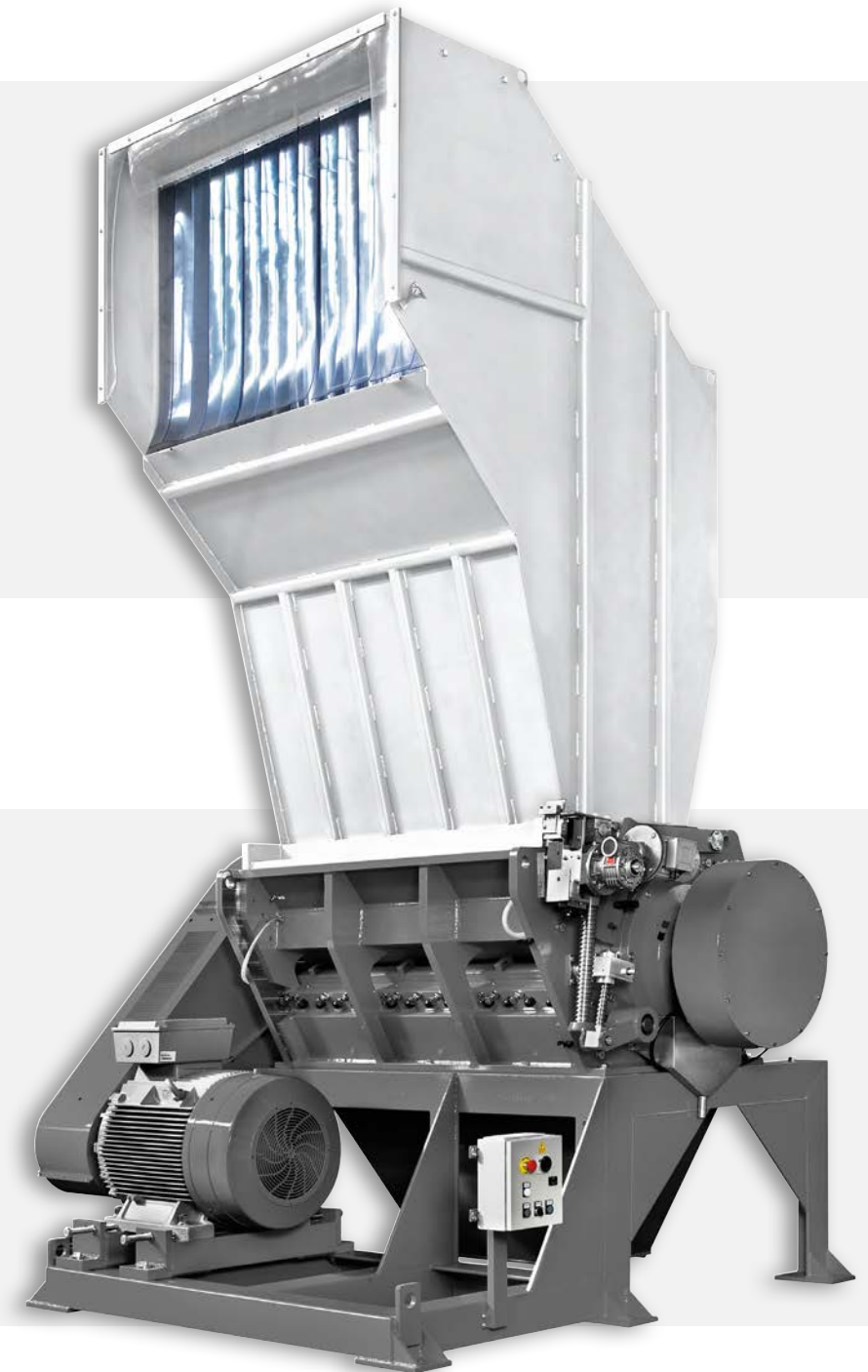
info@45consulting.com

© TRIA America, LLC. ED. 06.2012

DIVISION

PLASTICS

TRIA



TRIA America, LLC
10918 Granite Street
Charlotte, NC 28273
www.triaamerica.com

Tel: 704.944.3240
Tel: 877.505.8742
Fax: 704.716.0075
info@triaamerica.com



SCAN
HERE TO
LEARN
MORE



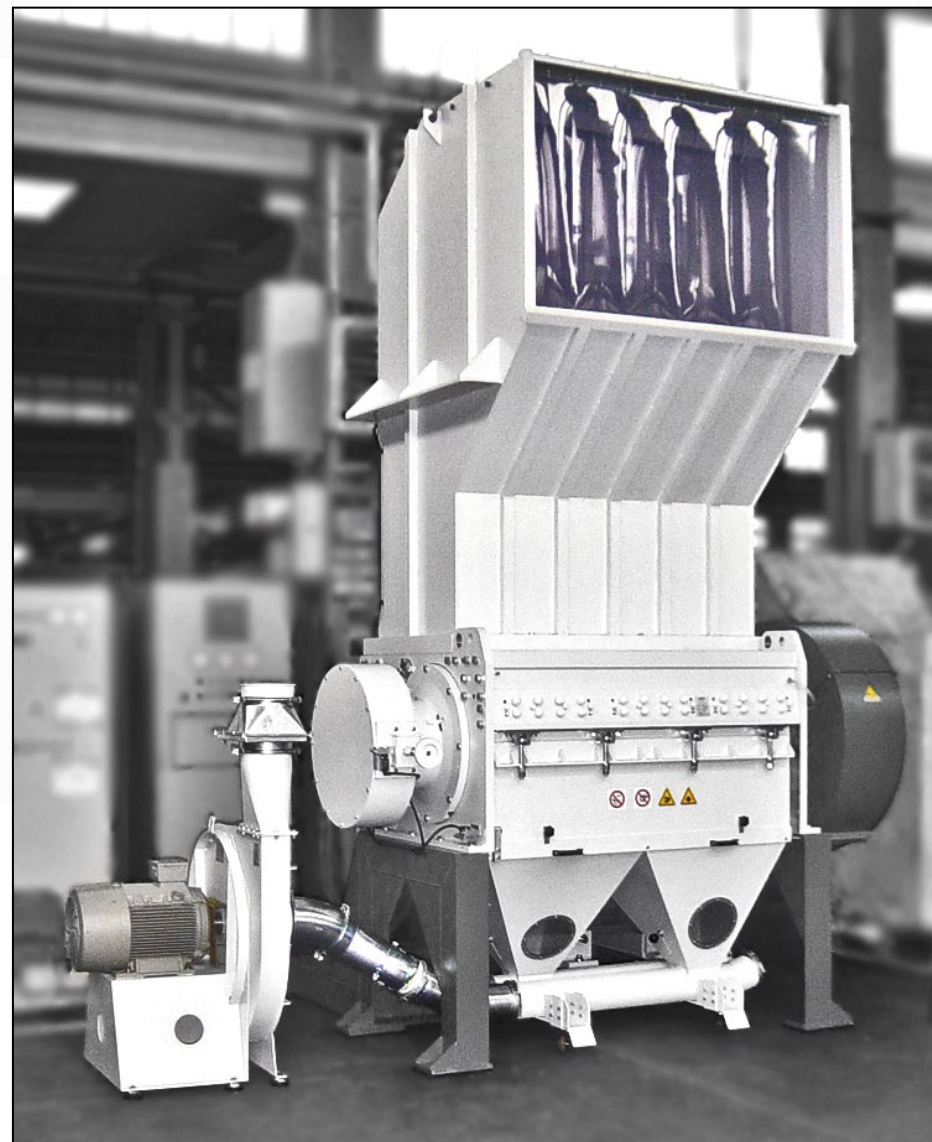
SERIES 80 GR-TR

VERSION GR granulators for large volume post industrial and post consumer recycling. The design allows for granulation of purgings, rolls of film, large sheets and other bulky items. It is also offered in a wet grinding configuration for PET and HDPE bottle recycling.

VERSION TR granulators equipped with traction roll systems for the in-line and off-line grinding of film, sheets and thermoformed production waste.



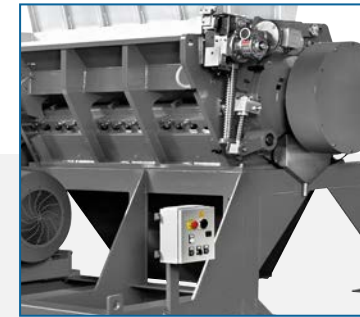
Forged rotor design for wet grinding applications



DIVISION

PLASTICS

TRIA



Motorized jack for hopper opening; integrated electrical control panel



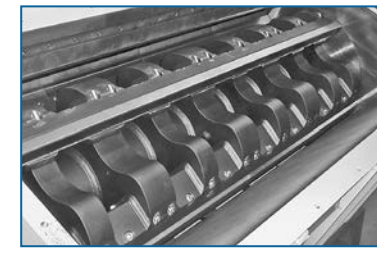
Rotor lock device for maintenance



Flywheel and Pulley mounted with taper-lock bushing



Rotor equipped with lateral discs
Optional: Discs fixed to the cutting chamber



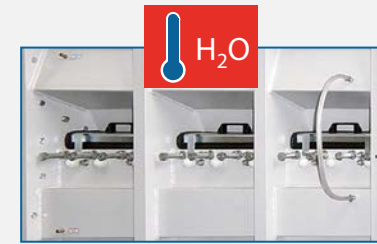
6- knife rotor with scissors-cutting configuration



7-knife rotor with arrow-cutting configuration



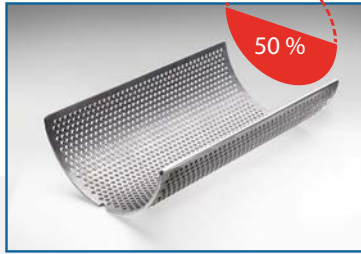
All cutting chambers can be offered in an antiwear configuration
This includes the lateral discs, the wear rings and the screen



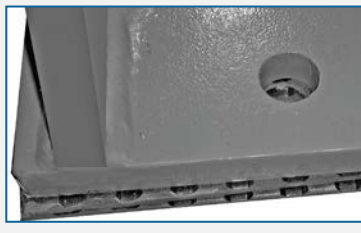
Water cooled cutting chamber



Opening of screen holder by manual jack



Screen equal to approx. 50% of the knives' rotation



Base set on vibration dampers



Adjustment of knives and counterknives can be performed separate from the machine



The use of spherical roller bearings that are directly mounted to the cutting chamber in cast iron housings ensure longevity of the machine

...
All machines are manufactured according to the latest Safety Standards.